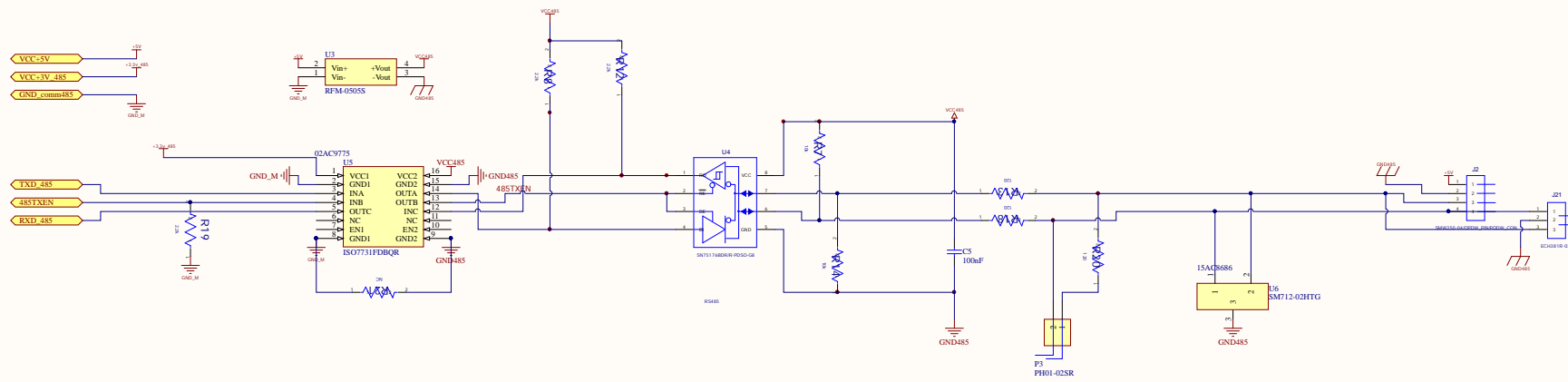
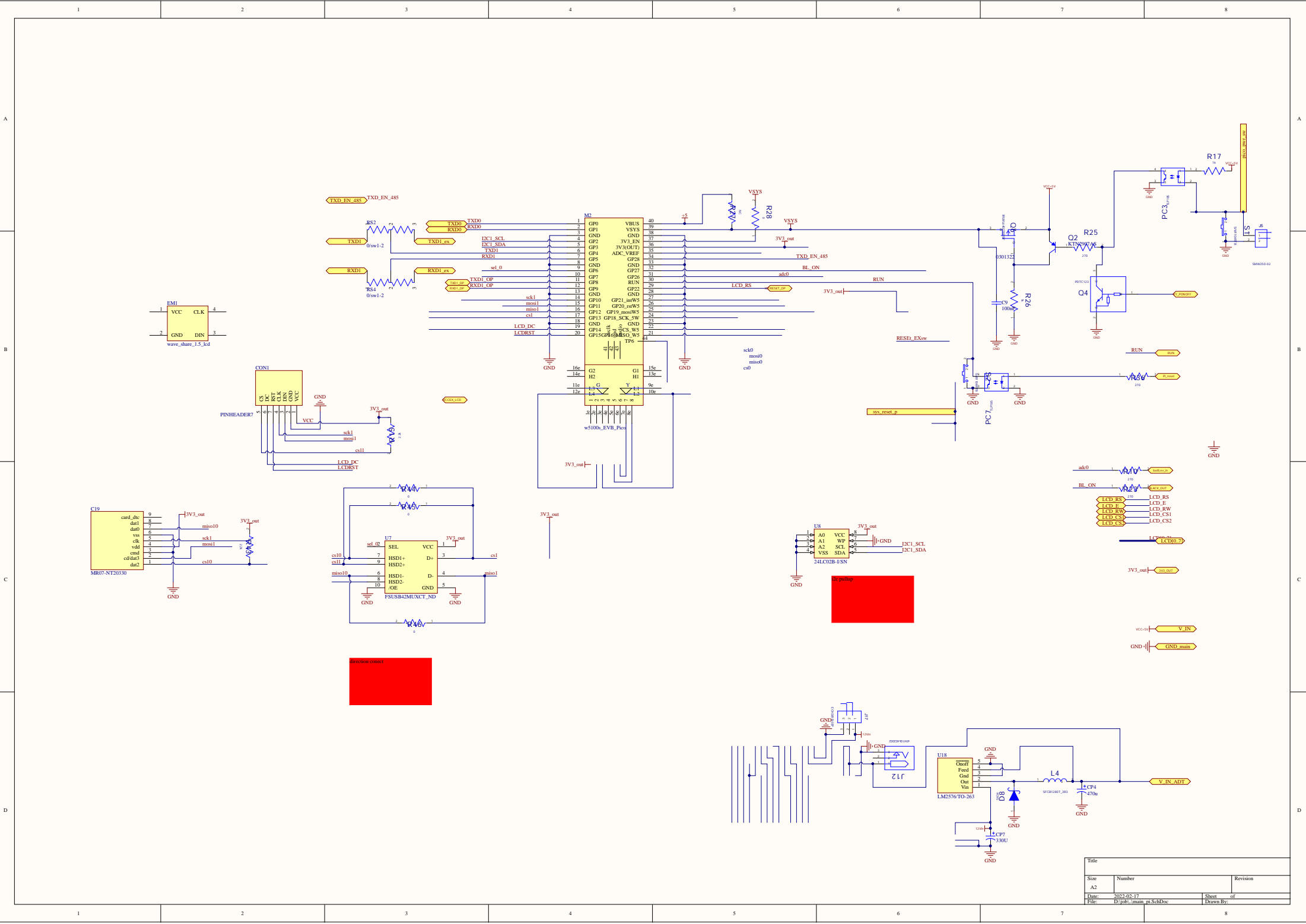


POWER



Title		
Size	Number	Revision
A2		
Date:	2022-02-17	Sheet
File:	D:\job\comm_485\SchDoc	Drawn By:

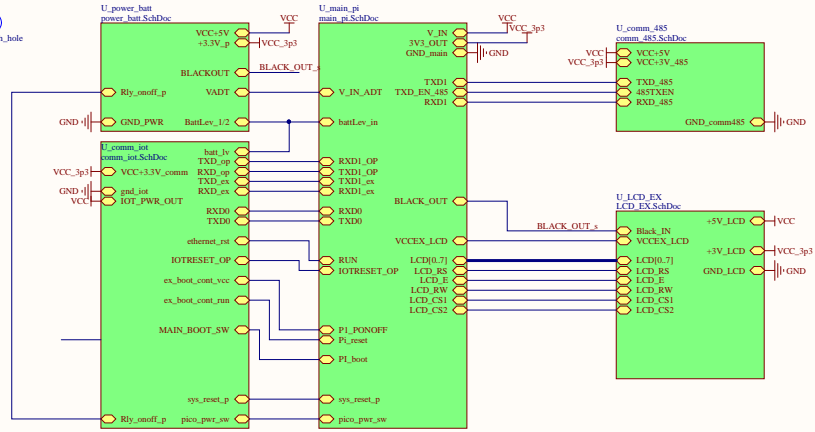
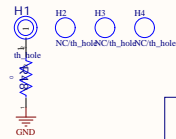


Title		
Size	Number	Revision
A2		
Date:	2022-02-17	Sheet: 01
File:	D:\job\3_min_pi_SchDoc	Drawn By:

Alternate Function					Alternate Function
3.3V PWR	1		2		5V PWR
I2C1 SDA	GPIO 2	3	4		5V PWR
I2C1 SCL	GPIO 3	5	6		GND
	GPIO 4	7	8		UART0 TX
GND	9		10		UART0 RX
GPIO 17	11		12		GPIO 18
GPIO 27	13		14		GND
GPIO 22	15		16		GPIO 23
3.3V PWR	17		18		GPIO 24
SPI0 MOSI	GPIO 10	19	20		GND
SPI0 MISO	GPIO 9	21	22		GPIO 25
SPI0 SCLK	GPIO 11	23	24		GPIO 8
GND	25		26		GPIO 7
Reserved	27		28		Reserved
GPIO 5	29		30		GND
GPIO 6	31		32		GPIO 12
GPIO 13	33		34		GND
SPI1 MISO	GPIO 19	35	36		GPIO 16
GPIO 26	37		38		GPIO 20
GND	39		40		GPIO 21

Cannot open file C:\Users\Public\Documents\Altium\artwork\power_ra\sch_power_ra_v1_210118\pin_map1.png

포개기 가능
id = 12864



Title		
Size	Number	Revision
A2		
Date:	2022-03-17	Sheet
File:	D:\job\seokdo\vf1.SchDoc	Drawn By:

