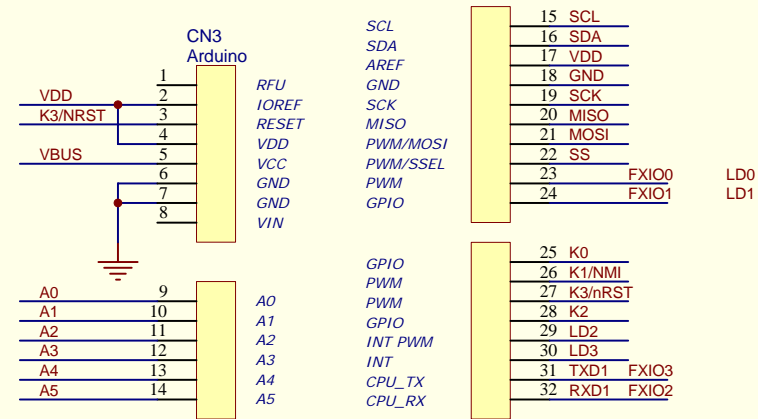
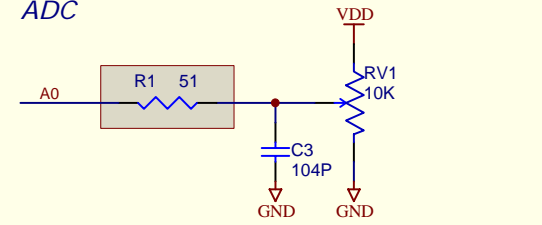


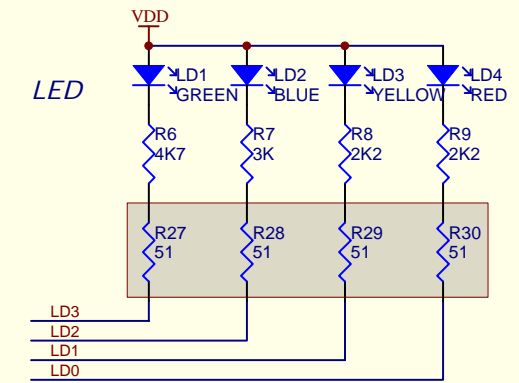
Arduino Interface



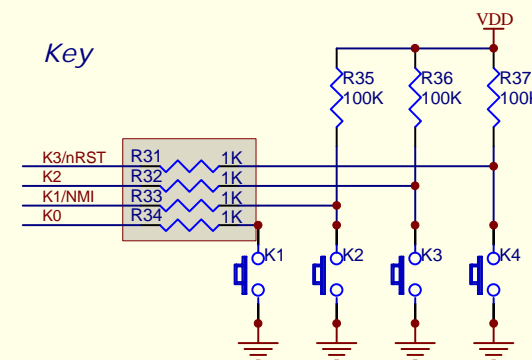
ADC



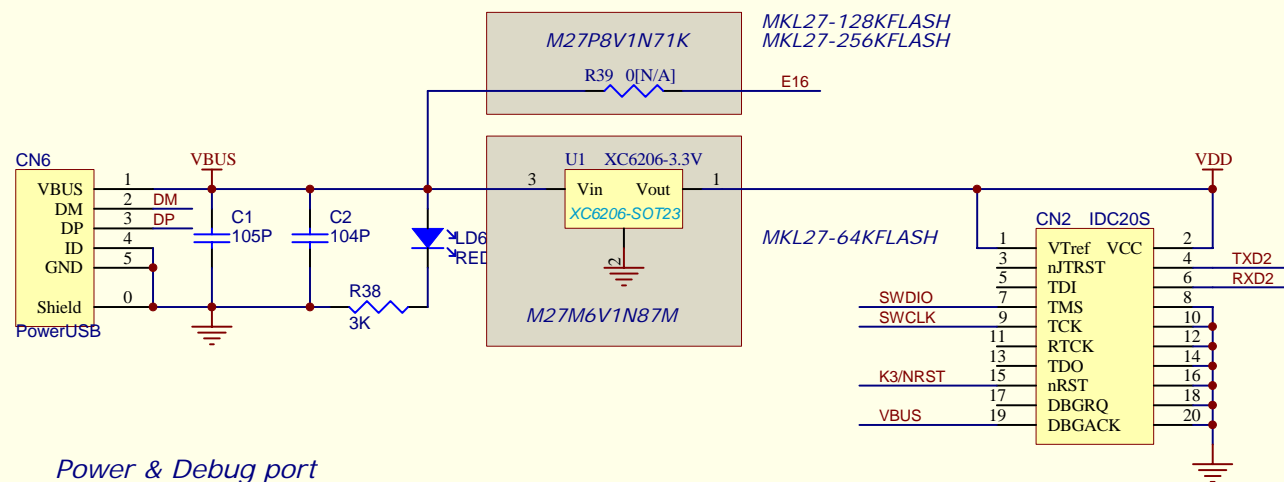
LED



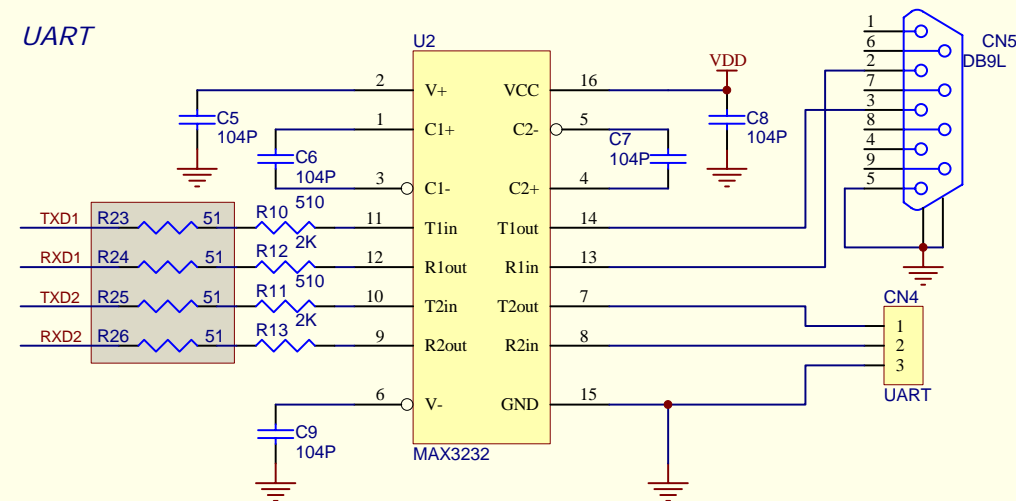
Key



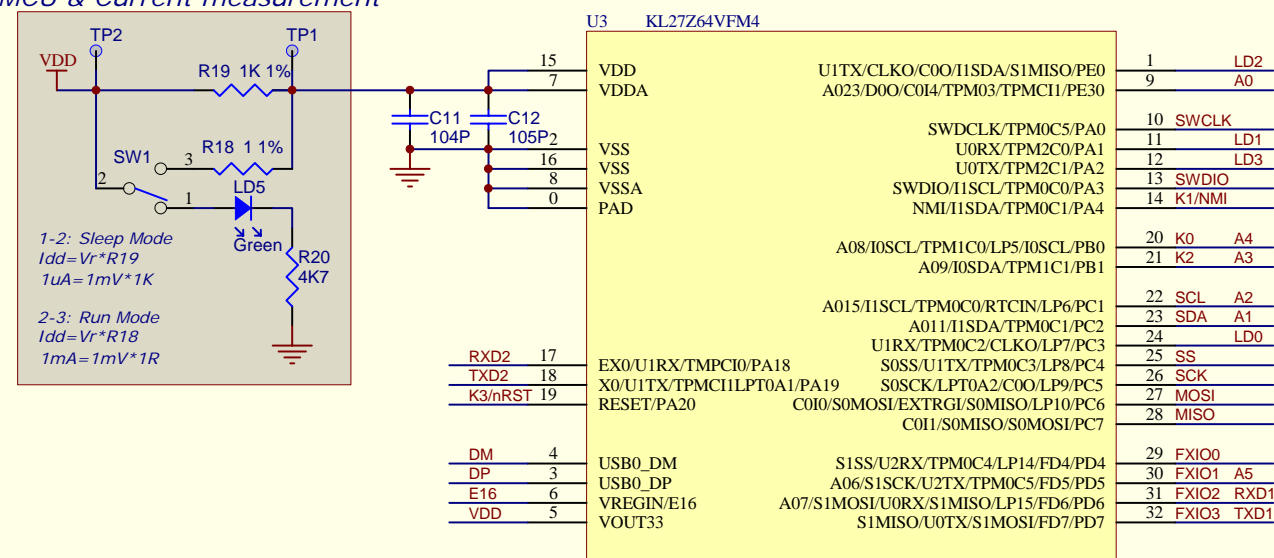
Power & Debug port



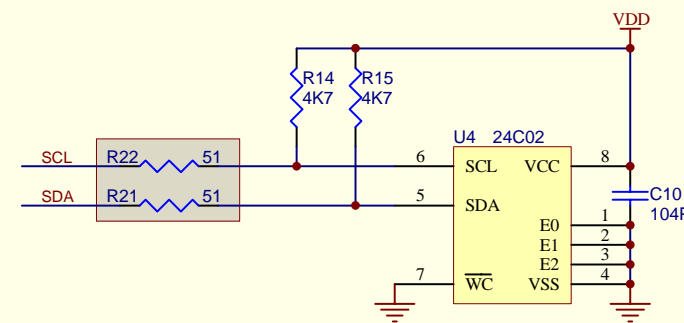
UART



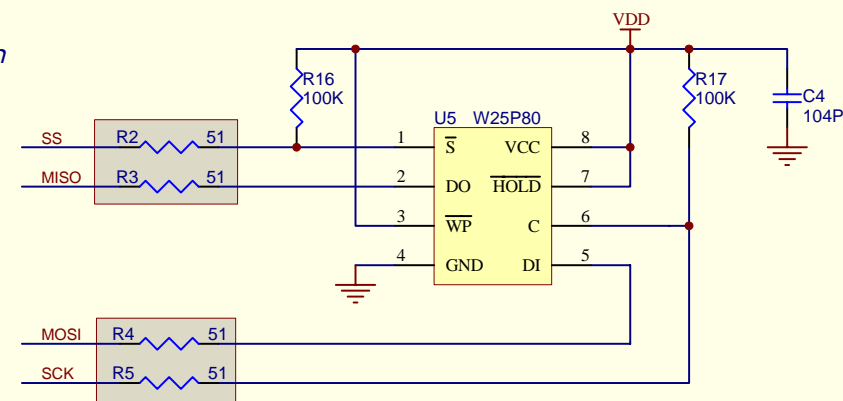
MCU & Current measurement



I2C



SPI Flash



MCU