

## Smart Lock using App Authentication

### Objective

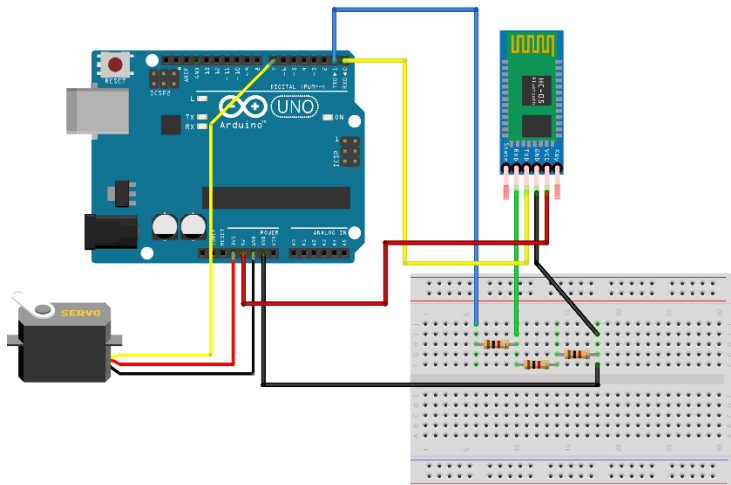
The smart lock system has the following features-

- ▶ Locking-unlocking using OTP
- ▶ Locking-unlocking using voice command.
- ▶ GPS tracking module (future plans - for portable locks)

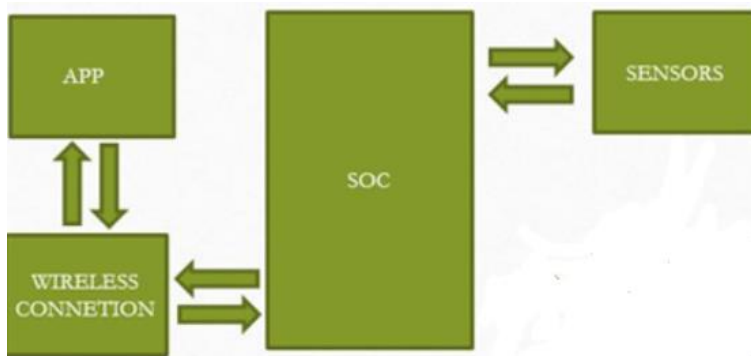
### Android App



## Basic Circuit Diagram



## Block Diagram



## Working

- The Arduino UNO/ Wiznet w5100 acts as an interface between the android app and the sensors.
- Once the HC-05 module is paired with the device, the OTP can be generated to unlock the device.
- Besides the OTP generation, the lock can be unlocked using the voice command.