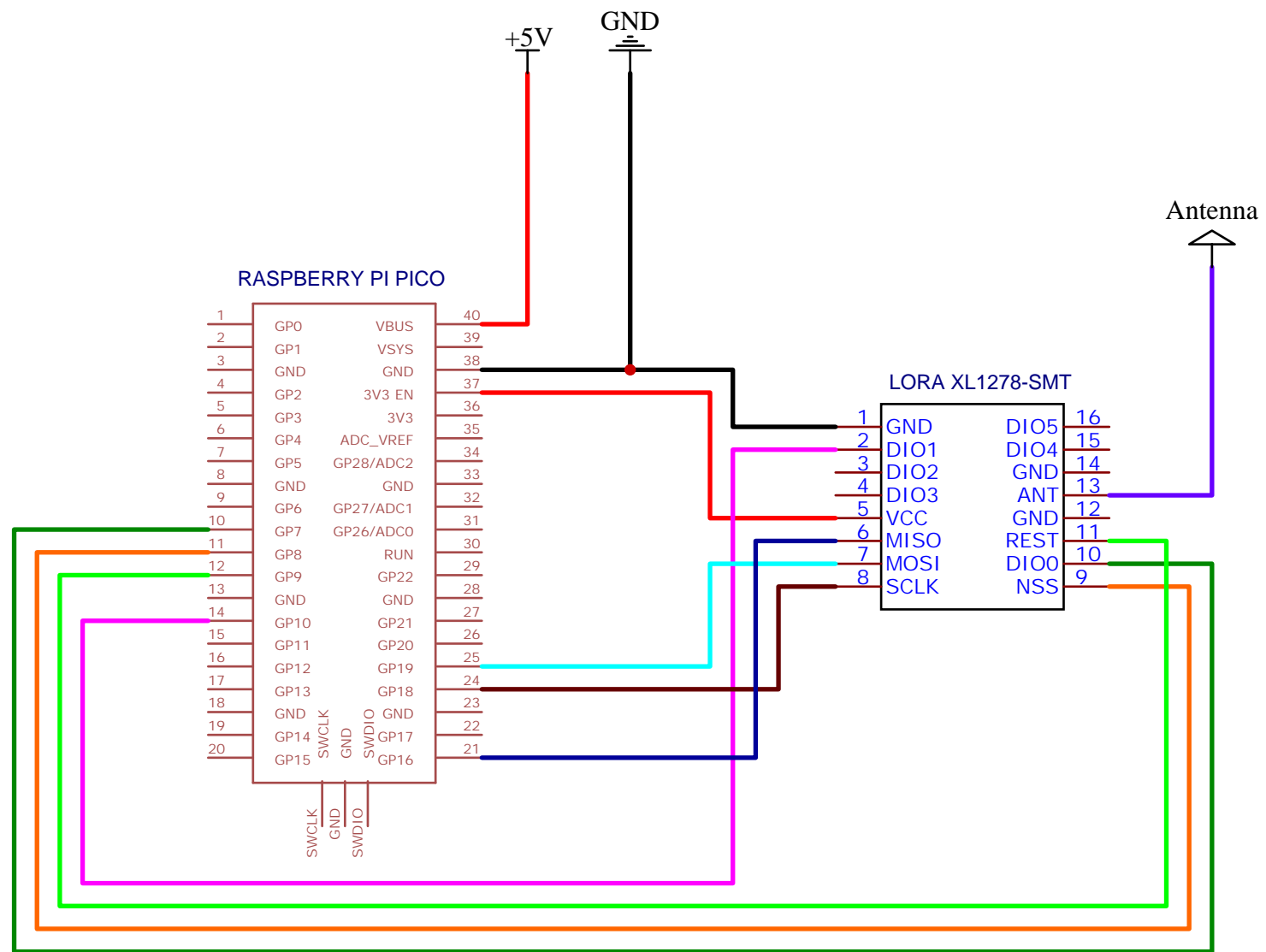


This has to be a consisten 5V input, it has to be perfectly 5V if you don't want a burned out Pi !!!



TITLE: LoRa XL1278 connections with Raspberry Pi Pico		REV: 1.0
EasyEDA	Company:	Sheet: 1/1
	Date: 2022-04-29	Drawn By: Twitter: @EatingNerd