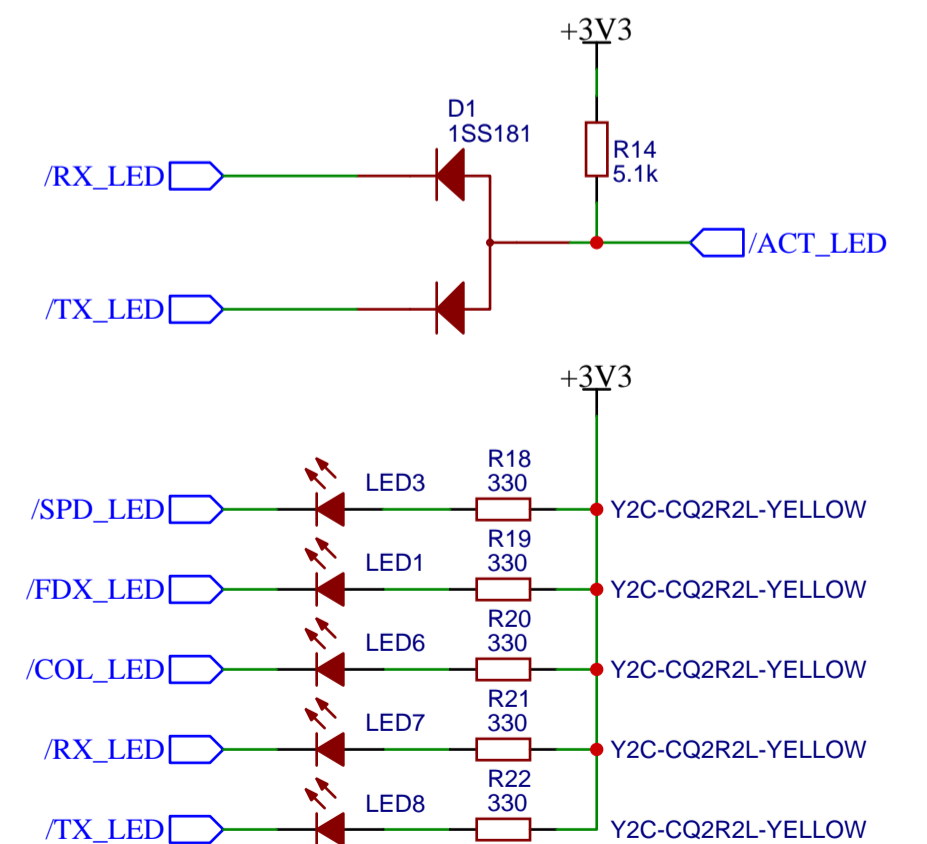
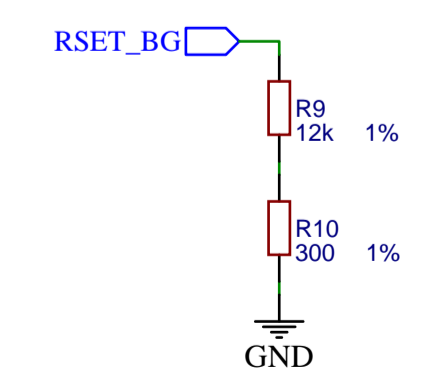
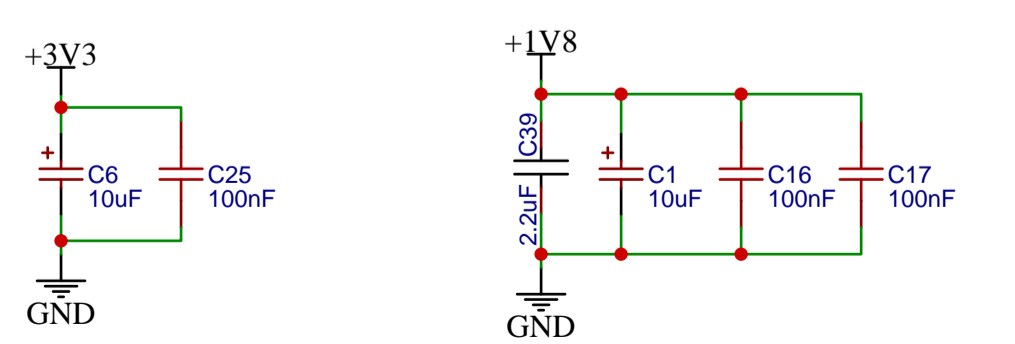
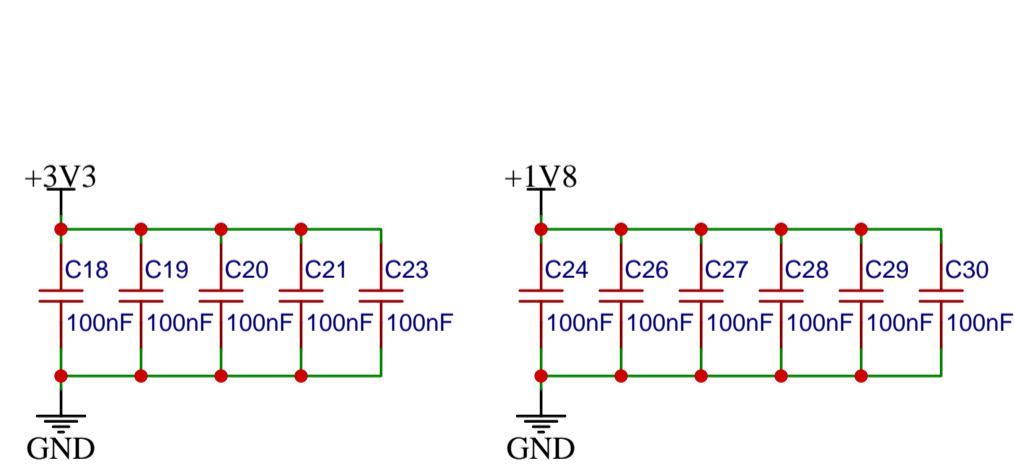
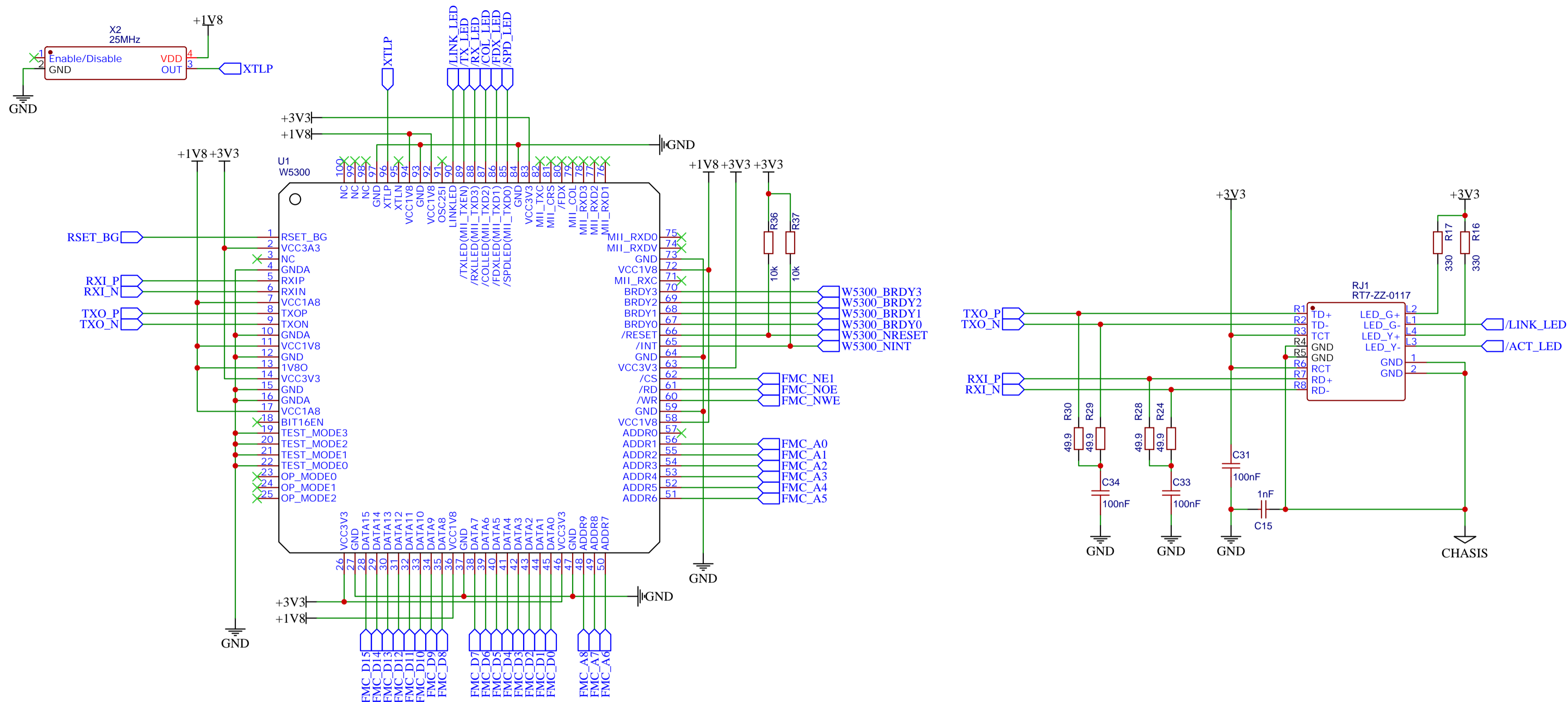
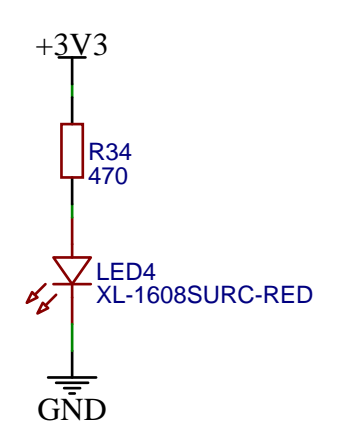
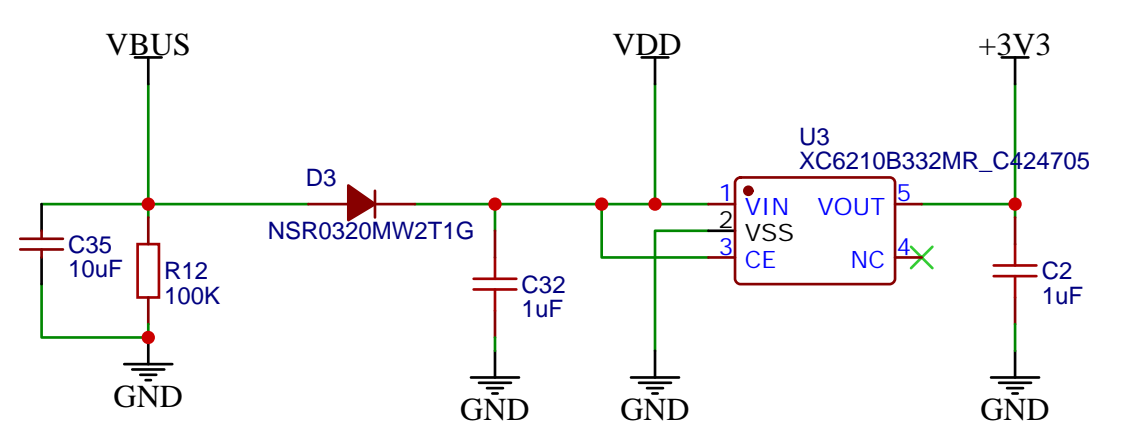
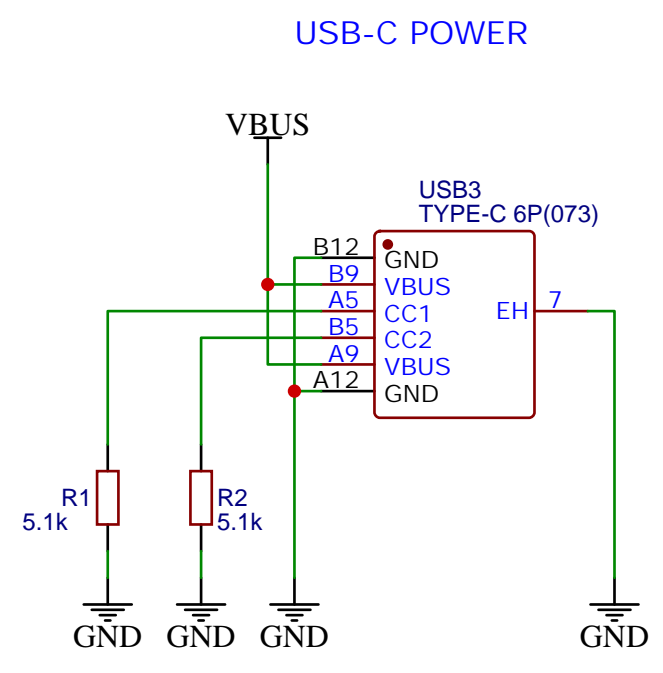


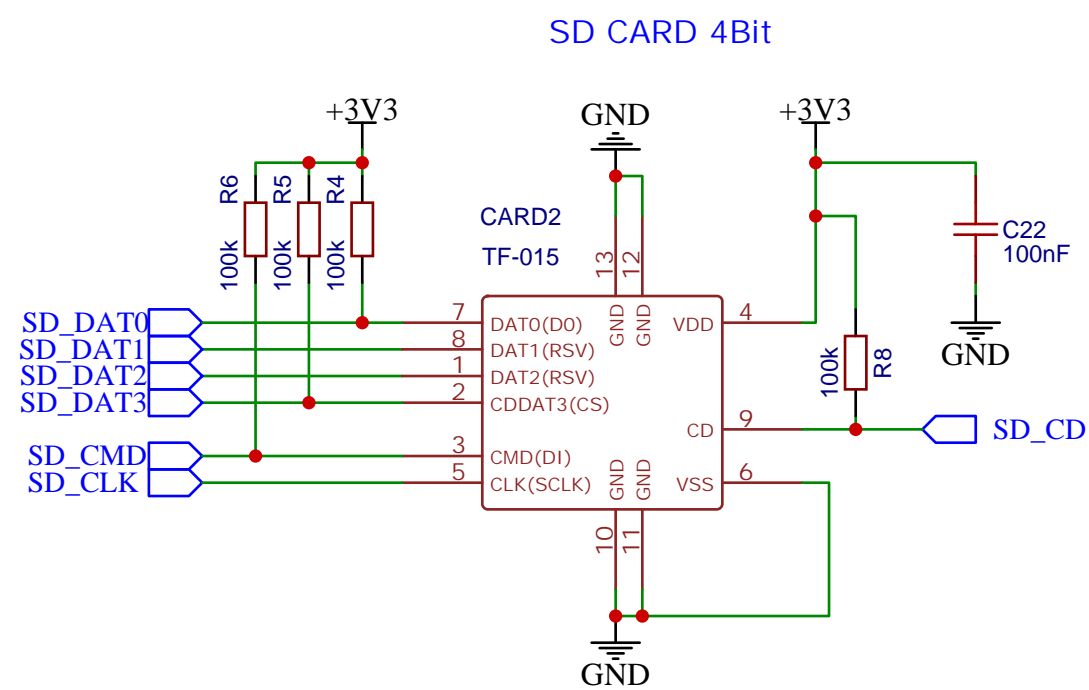
TITLE: MCU		REV: 1.0
Company: BARAM		Sheet: 1/1
Date: 2023-04-17	Drawn By: chcbaram	



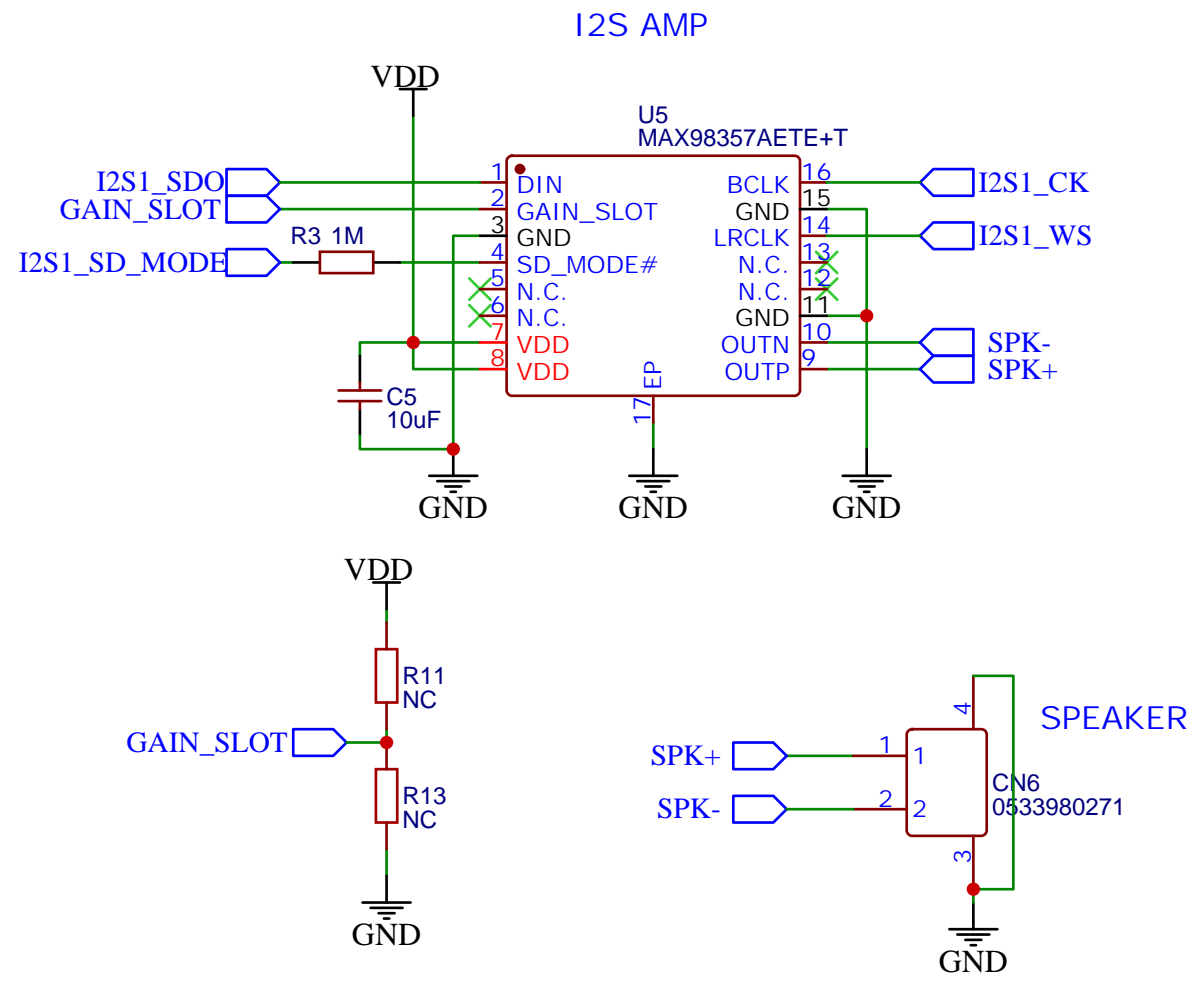
TITLE:	W5300	REV:	1.0
Company: BARAM		Sheet: 1/1	
Date: 2023-04-17		Drawn By: chcbaram	




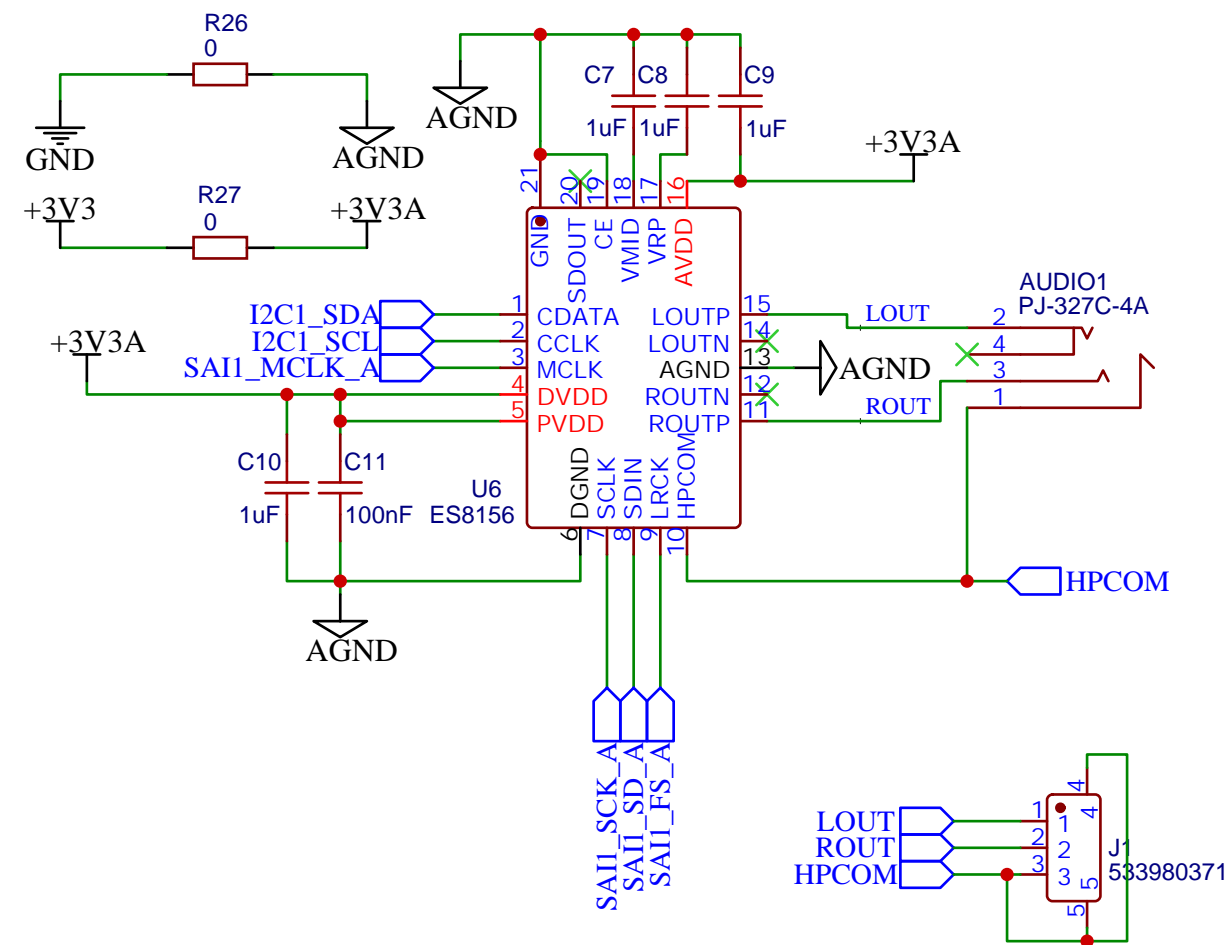
TITLE:	POWER	REV:	1.0
		Company:	BARAM
		Date:	2023-04-17
		Drawn By:	chcbaram
		Sheet:	1/1




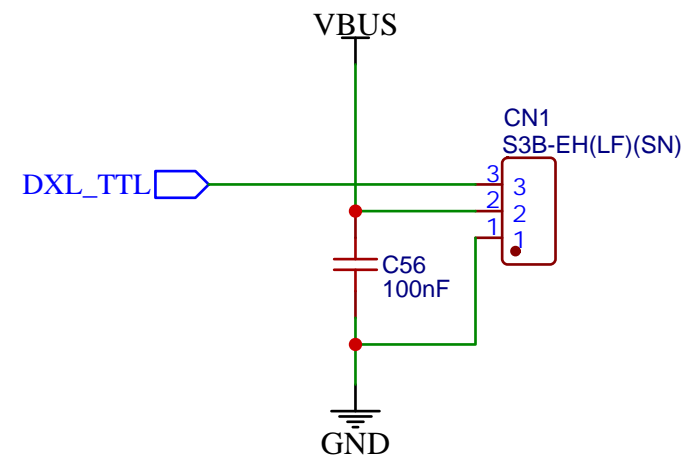
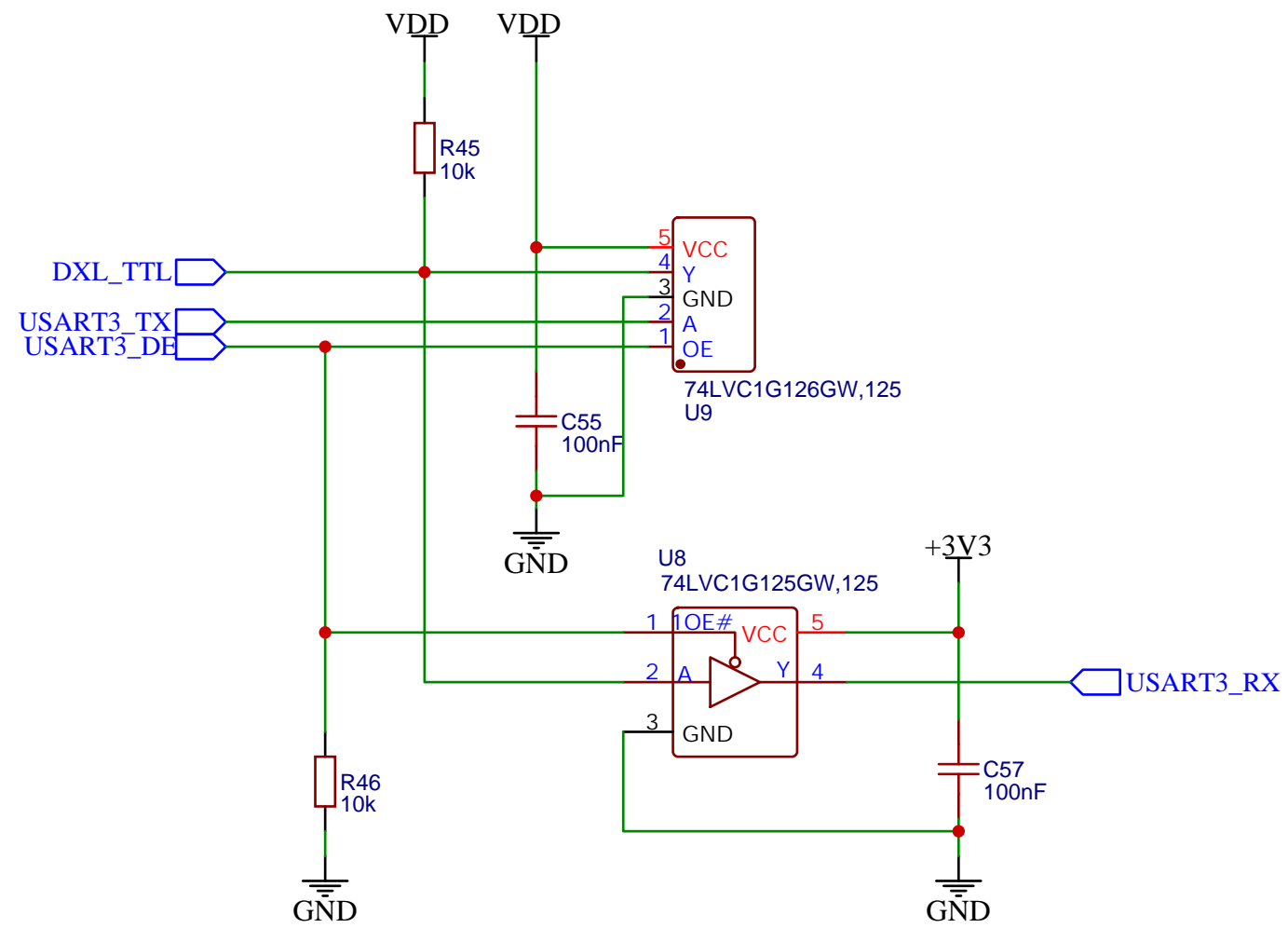
TITLE: SD CARD		REV: 1.0
嘉立创EDA	Company: BARAM	Sheet: 1/1
	Date: 2023-04-17	Drawn By: chcbaram



TITLE: <b>AUDIO</b>		REV: <b>1.0</b>
	Company: <b>BARAM</b>	Sheet: <b>1/1</b>
	Date: <b>2023-04-17</b> Drawn By: <b>chcbaram</b>	



TITLE: ES8156		REV: 1.0
	Company: BARAM	Sheet: 1/1
	Date: 2023-04-17	Drawn By: chcbaram



TITLE: DXL TTL		REV: 1.0
嘉立创EDA	Company: BARAM	Sheet: 1/1
	Date: 2023-04-22	Drawn By: chcbaram