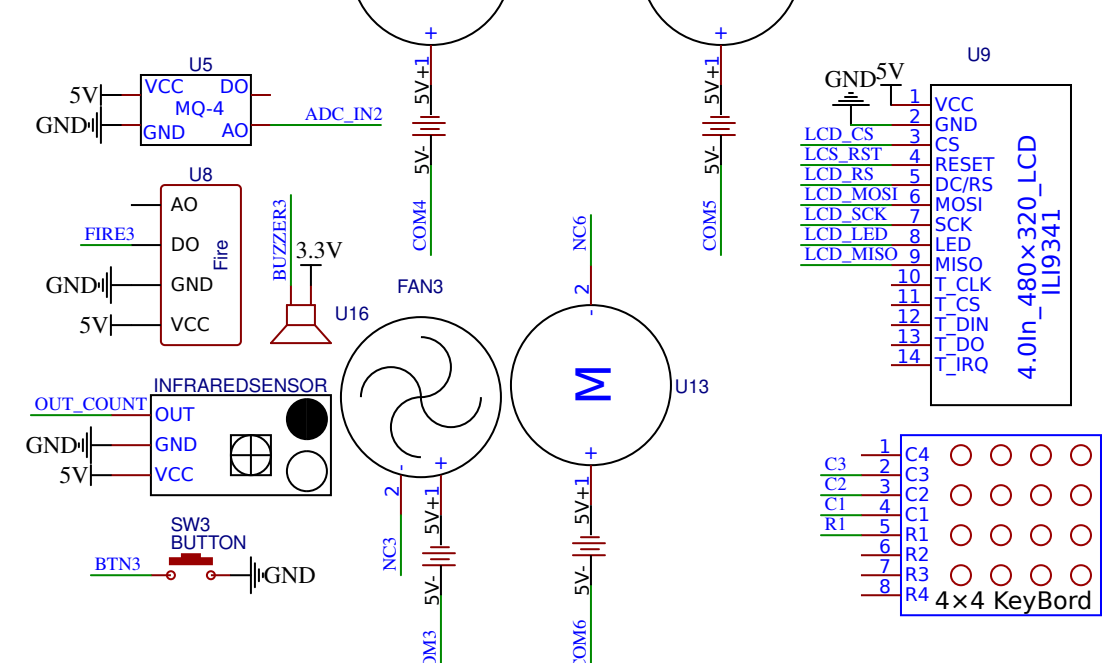
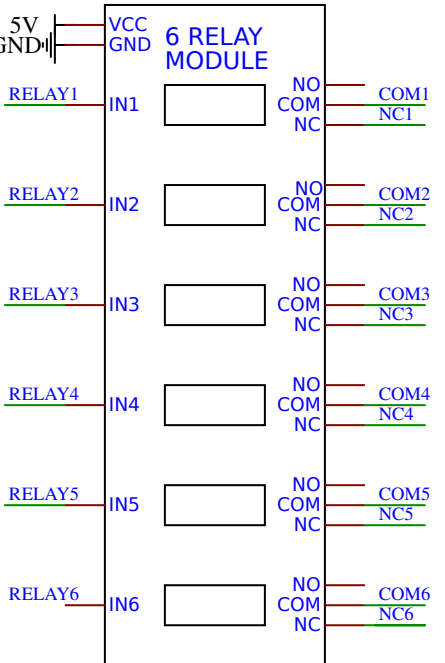


Pin	Label	Pin	Label
1	PE2	144	VDD_3
2	PE3	143	VSS_3
3	PE4	142	RELAY1
4	PE5	141	RST
5	PE6	140	LINK_STATUS
6	VBAT	139	LCD_LED
7	PC13-TAMPER-RTC	138	BOOT0
8	PC14-OSC32_IN	137	OUT_COUNT
9	PC15-OSC32_OUT	136	IN_COUNT
10	PF0	135	PB5
11	PF1	134	PB4
12	PF2	133	PB3
13	PF3	132	PG15
14	PF4	131	VDD_11
15	PF5	130	VSS_11
16	VSS_5	129	PG14
17	VDD_5	128	PG13
18	PF6	127	PG12
19	PF7	126	PG11
20	PF8	125	NE3
21	PF9	124	PG10
22	PF10	123	PG9
23	OSC_IN	122	PD7
24	OSC_OUT	122	PD6
25	NRST	121	VDD_10
26	PC0	120	VSS_10
27	PC1	119	NWE
28	PC2	118	NOE
29	PC3	117	PD4
30	VSSA	116	PD3
31	VREF-	115	D3
32	VREF+	114	D2
33	VDDA	113	PD0
34	PA0-WKUP	112	PC12
35	PA1	111	PC11
36	PA2	110	PC10
37	PA3	109	PA15
38	VSS_4	108	PA14
39	VDD_4	107	VSS_2
40	PA4	106	NC
41	PA5	105	PA13
42	PA6	104	PA12
43	PA7	103	PA11
44	PC4	102	PA10
45	PC5	101	USART1_RX
46	PB0	100	USART1_TX
47	PB1	99	PA9
48	PB2	98	PA8
49	PF11	97	PC9
50	PF12	96	PC8
51	VSS_6	95	PC7
52	VDD_6	94	PC6
53	PF13	93	BUZZER3
54	PF14	92	BUZZER2
55	PF15	91	BUZZER1
56	PG0	90	R1
57	PG1	89	C1
58	PE7	88	C2
59	PE8	87	C3
60	PE9	86	D1
61	VSS_7	85	D0
62	VDD_7	84	VDD_8
63	PE10	83	VSS_8
64	PE11	82	BTN3
65	PE12	81	BTN2
66	PE13	80	BTN1
67	PE14	79	D15
68	PE15	78	LCD_RST
69	PB10	77	LCD_SCK
70	PB11	76	LCD_MISO
71	VSS_1	75	D14
72	VDD_1	74	D13
		73	LCD_MOSI
		72	PB12



TITLE:	REV: 1.0
Company:	Sheet: 1/1
Date:	Drawn By: